

Model: Patras

Structure:

Plywood and Solid wood

Seat: No-sag spring

Back rest:Elastic webbing

Seat Cushion:31+26KG/M³

High resilient foam+Dacron fibre+feather

Back Cushion:

Dacron fibre+feather

Cushion removable:

Removable seat and back cushion

Functionality:

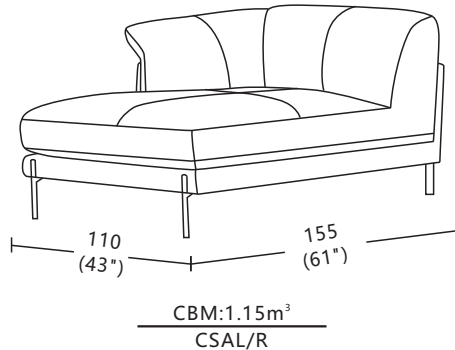
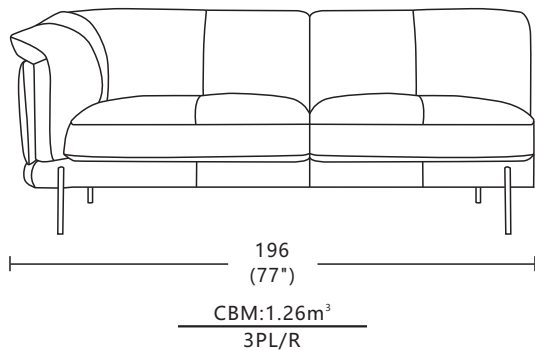
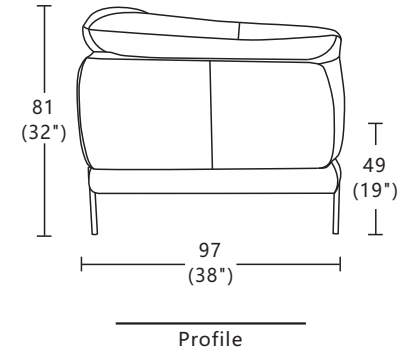
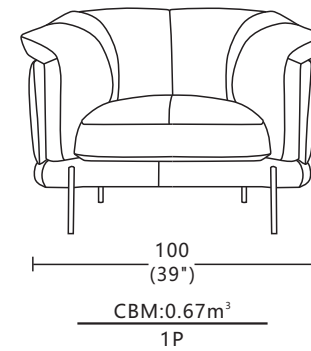
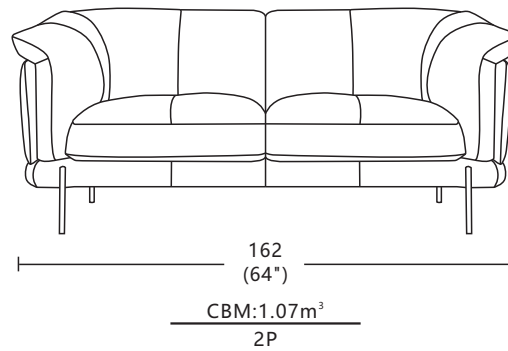
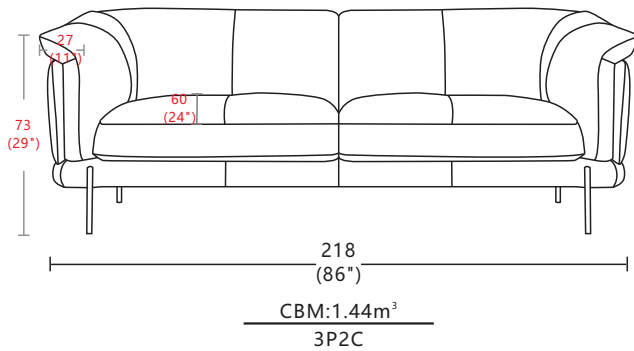
N/A

Sofa Legs:

Metal feet17.5 cm

Feet Disassembly:

Yes



The allocation of seams could be different between leather and fabric version which should not be treated as design defects or quality issues

This information is based on the latest product information available at the time of printing. The right to discontinue and make changes is reserved